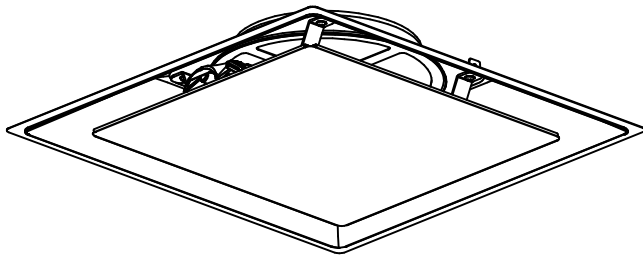
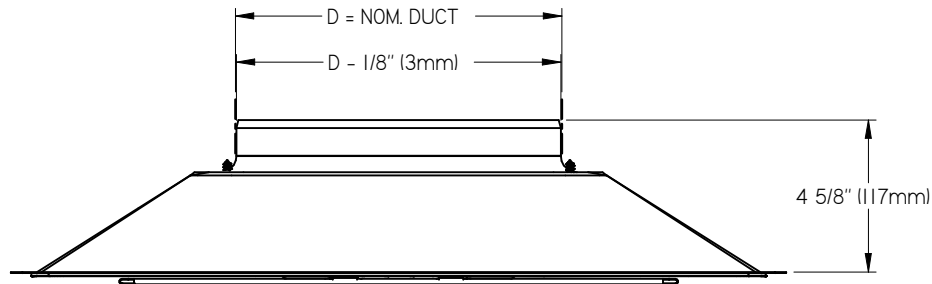


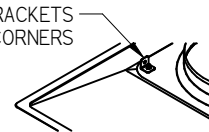
Varitherm® PLAQUE DIFFUSER



OPTIONS:

- AFI - FIBERGLASS INSULATION WITH FOIL FACING
- HB - HANGER BRACKETS

OPTIONAL HANGER BRACKETS
2 OPPOSITE CORNERS



- PRC - PRESSURE RELIEF COLLAR (SHIPPED LOOSE)
(ALSO SEE SUBMITTAL 231164)

CEILING MODULE:

- 24" x 24"
- 600mm x 600mm

NOMINAL DUCT SIZE:

- 6" (152mm) 10" (254mm)
- 8" (203mm) 12" (305mm)

STANDARD CONSTRUCTION:

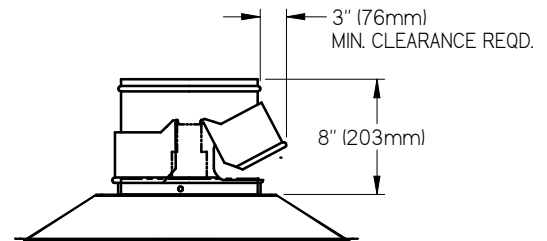
- STEEL CONSTRUCTION

OPERATION:

- HC - VAV HEATING AND COOLING
- C - VAV COOLING ONLY

FINISH:



- B12 - WHITE
(OPTIONAL FINISHES AVAILABLE)



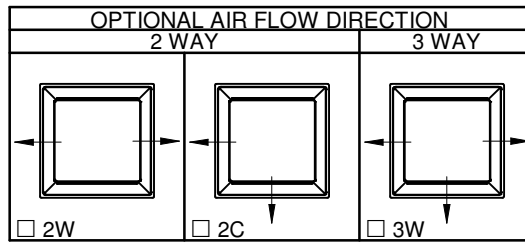
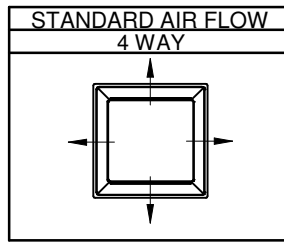
NOTES:

- FACTORY TOLERANCE $\pm 1/16"$ (2mm)
- STANDARD RANGE: 70 TO 78°F (21 TO 26°C)
- FACTORY DEFAULT SETTINGS: 74°F (23°C)
- FOR 9/16" FLAT TEE INSTALLATION USE STYLE 31 WITH ADAPTOR CLIPS FROM CEILING SUPPLIER, OR ORDER 916 CORNER CLIP SEPARATELY.

ALL METRIC DIMENSIONS () ARE SOFT CONVERTED. IMPERIAL DIMENSIONS ARE CONVERTED TO METRIC AND ROUNDED TO THE NEAREST MILLIMETER.

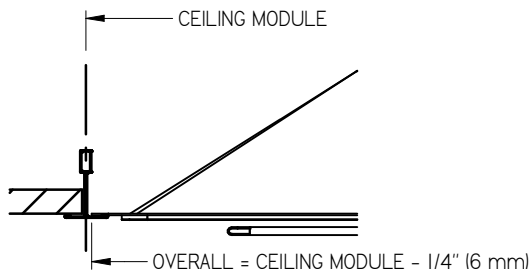
PROJECT:		  243085	
ENGINEER:			
CUSTOMER:		Varitherm® VPD PLAQUE DIFFUSER SELF MODULATING VAV HEATING/COOLING	
SUBMITTAL DATE:	SPEC. SYMBOL:		

Varitherm® PLAQUE DIFFUSER

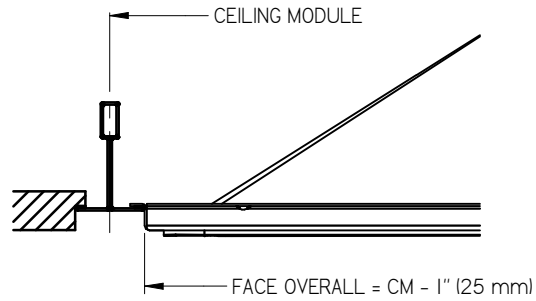


BORDER OPTION

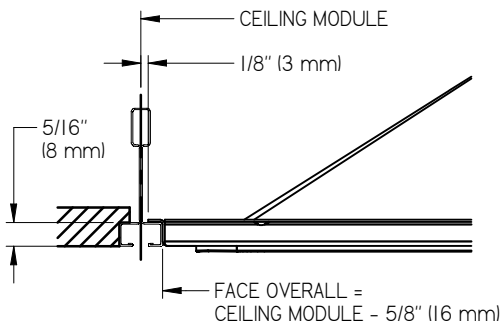
- STYLE 3 T-BAR LAY-IN FOR 15/16" FLAT TEE



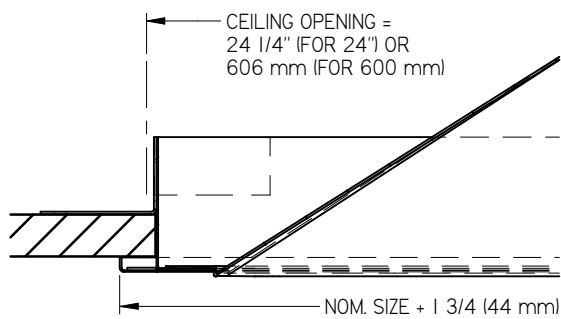
- STYLE 15 - 15/16" REGULAR T-BAR



- STYLE 17 - 9/16 TEGULAR OR BOLT SLOT T-BAR



- SPF - SURFACE MOUNT W/ STEEL PLASTER FRAME



ALL METRIC DIMENSIONS () ARE SOFT CONVERTED. IMPERIAL DIMENSIONS ARE CONVERTED TO METRIC AND ROUNDED TO THE NEAREST MILLIMETER.

PROJECT:

ENGINEER:

CUSTOMER:

SUBMITTAL DATE:

SPEC. SYMBOL:



MG

243085

AUG 2018

Varitherm®
VPD
PLAQUE DIFFUSER
SELF MODULATING
VAV HEATING/COOLING

Solid Edge